

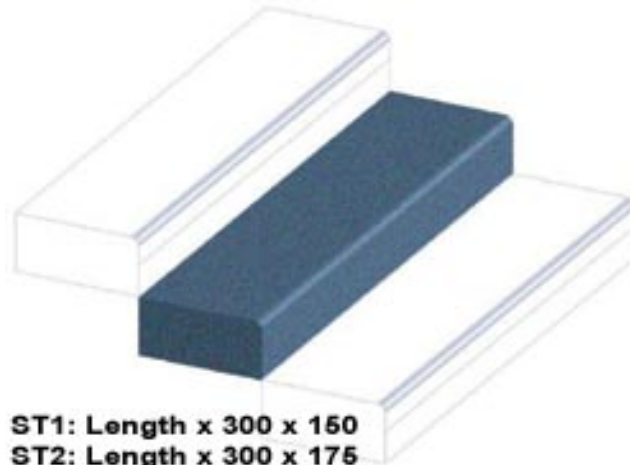


Robeslee Concrete

Email: info@robleslee.co.uk
Telephone: 0141 775 2677
Fax: 0141 777 8120

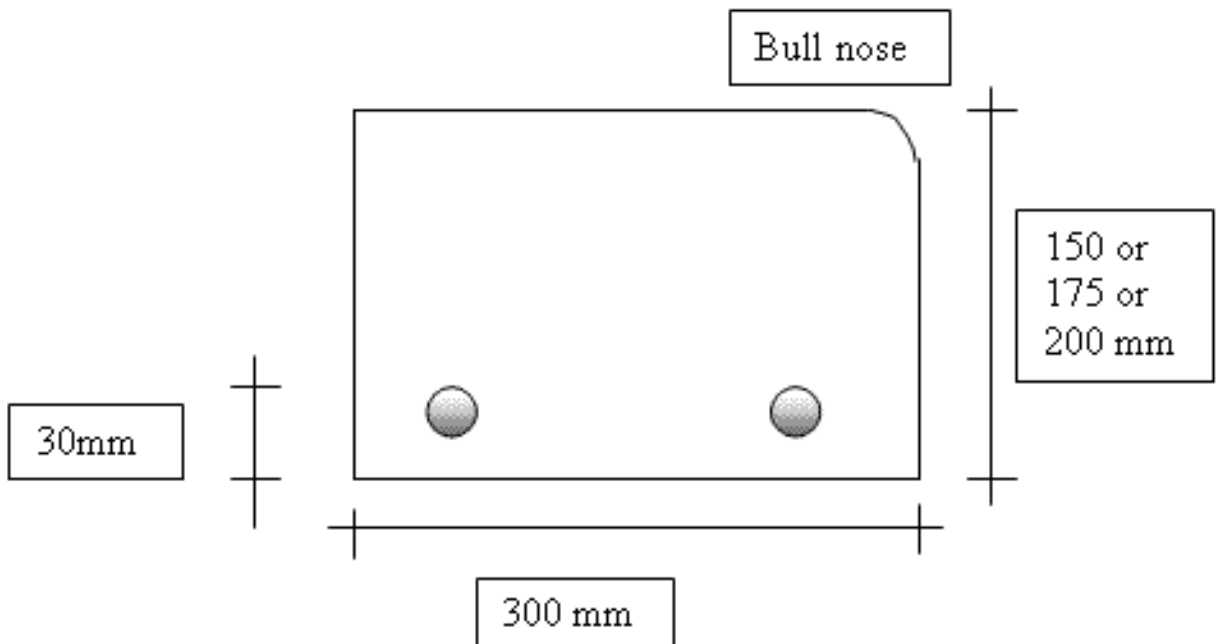
STANDARD PRECAST STEPS

Standard Precast Steps are made in the three sizes below, however special sections can be made to customer's design and specifications.



ST1: Length x 300 x 150
ST2: Length x 300 x 175
ST3: Length x 300 x 200

Profile of Precast Steps ST1 (300x150), ST2 (300x175), ST3(300x200)



- " All exposed surfaces are finished smooth
 - " Reinforcement is for handling (T12) with 30mm cover from bottom
 - " Stock sizes (ST1 and ST2) 900,1000,1050,1200,1350,1500,1800 and 2100
 - " Non-standard sizes or sections can be made to customer specification
 - " Steps are made using a 30N concrete
-